

Compact Digital Photo 8 inch Printer

Color Stream CE1

NEW



Best on-site photo printer for Portrait and Photobook 8 inch Photo Printing Revolution!!

Superior Image Quality

Produce the finest quality prints without smearing by taking advantage of our unique thermal control technology. High quality matte finish is also available.

Rapid and Reliable

Utilizing our tried and trusted printing technology.

Combination

Good combination with CS2 printer by unified operation for the system integration.

Highly Mobile

Light weight, highly-mobile and can be used anywhere. World's lightest 8 inch dye-sublimation printer at less than 14kg.

Affordable

Reasonable cost of printer and media may save your money and help your business tremendously.

Features

Light
&
Compact

Half
Size
of a conventional

Energy
Saving

Matte
Print

Paper Size (inch)

8×10
8×12

Multi Cut
8×6
×2

Multi Cut
8×4
×3

Print Speed

8×10
30
sec

 **SINFONIA**

SINFONIA TECHNOLOGY CO., LTD.
Formerly SHINKO ELECTRIC CO., LTD.

Compact Digital Photo 8 inch Printer
Color Stream CE1

The compact design enables to carry it anywhere and use it anyway.



Color Stream E1



Half size

Color Stream CE1



weight
28kg

Color Stream E1

weight
13.5kg

Color Stream CE1

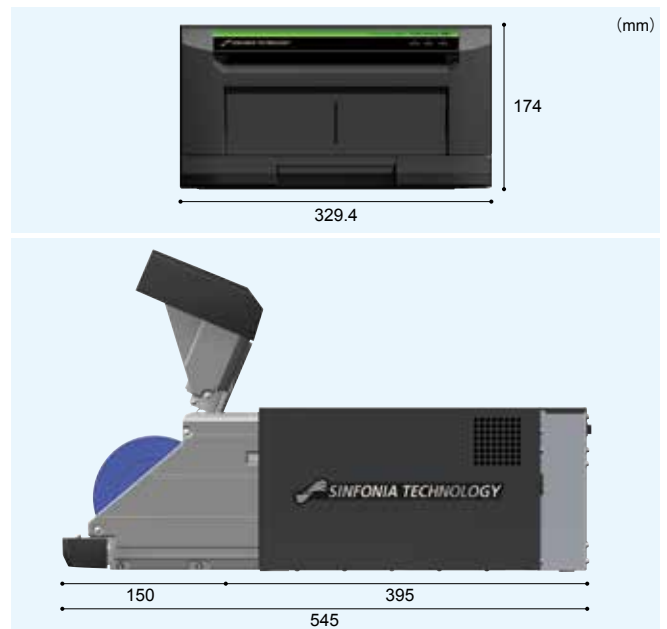
50%
 weight
 down

Specifications

Model No.	CHC-S6245
Print Method	Dye Sublimation Thermal Transfer
Resolution	300dpi
Paper Size Capacity	100 prints : 203mm×305mm (8"×12")
	120 prints : 203mm×254mm (8"×10")
Multiple print	(8"×4", 8"×6") with 8"×12"
Print Speed	About 30 seconds : 203mm×254mm (8"×10")
Ink Ribbon / Paper	YMC+OP / Roll Paper
Dimensions	329.4 (W) × 174 (H) × 395 (D) mm
Weight	13.5Kg or less (without media)
Power Supply	AC100-240V , 50/60Hz Auto-switching
Power Consumption	5.0-2.3A
Interface	USB 2.0
Buffer Memory	64MB
Printer Driver	Windows XP / Vista / 7 (32bit, 64bit)
Software Development Kit	DLL (Windows XP / Vista / 7)

The above specifications are subject to change without notice.
 Windows and Windows Vista are either registered trademarks or trademarks
 of Microsoft Corporation in the United States and/or other countries.

Dimensions



- CAUTION!**
- Before use, read the instruction manual carefully to ensure safe operation.
 - Do not position in wet, humid, dusty or smoky environments. This may result fire, breakdown or electric shock.

Formerly SHINKO ELECTRIC CO., LTD.

SINFONIA SINFONIA TECHNOLOGY CO., LTD.

<http://www.sinfo-t.jp/eng/printers.html>

Head office: Shiba NBF Tower, 1-30, Shibadaimon 1-chome, Minatoku, Tokyo, 105-8564 Japan
 Phone: +81-3-5473-1819 Fax: +81-3-5473-1844